

surface area of rectangular prism:

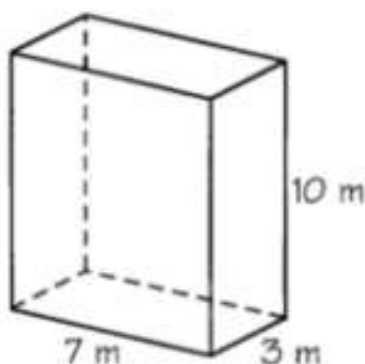
$$SA = 2(\text{sm. rect}) + 2(\text{med. rect}) + 2(\text{lg. rect})$$

$$SA = 2(3 \bullet 2) + 2(2 \bullet 6) + 2(6 \bullet 3)$$

$$SA = 2(6) + 2(12) + 2(18)$$

$$SA = 12 + 24 + 36$$

$$SA = 72 \text{ cm}^2$$



surface area of rectangular prism:

$$SA = 2(\text{sm. rect}) + 2(\text{med. rect}) + 2(\text{lg. rect})$$

$$SA = 2(7 \bullet 3) + 2(3 \bullet 10) + 2(10 \bullet 7)$$

$$SA = 2(21) + 2(30) + 2(70)$$

$$SA = 42 + 60 + 140$$

$$SA = 242 \text{ m}^2$$